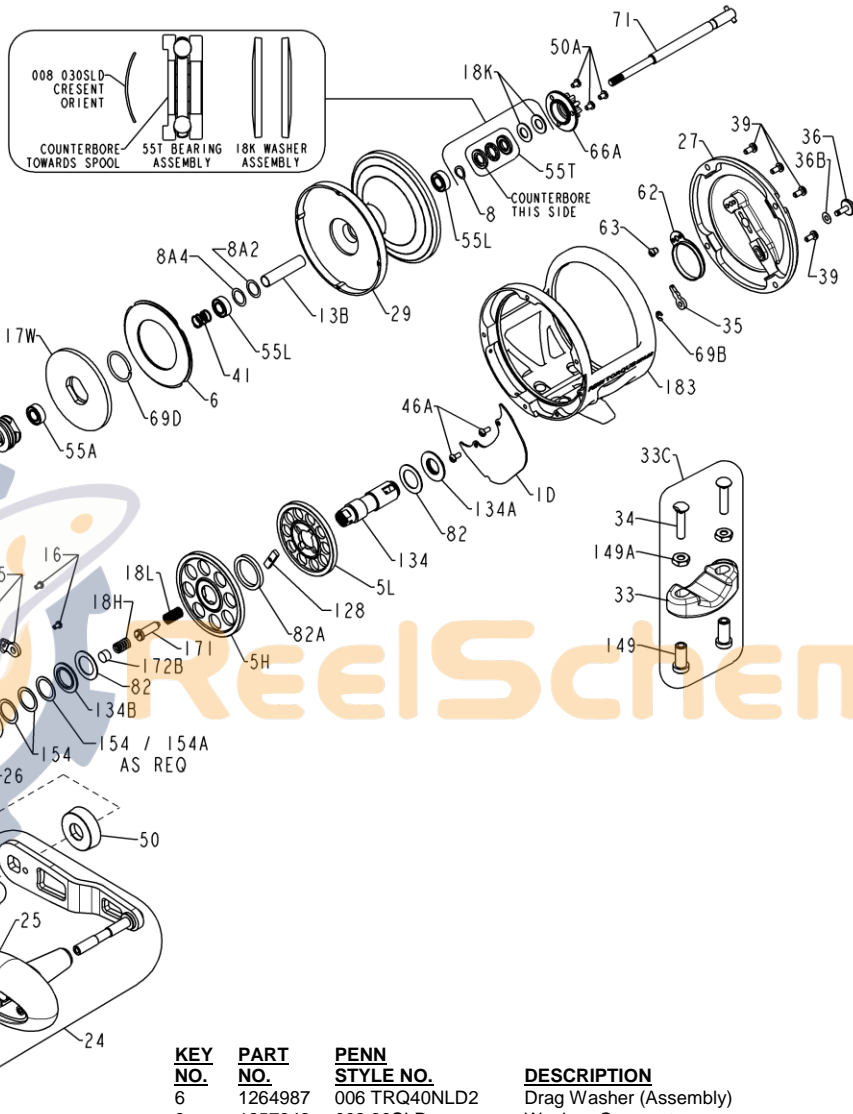




PARTS LIST FOR MODEL TRQ40NLD2G

REEL ASSEMBLY NO. 1206070



KEY NO.	PART NO.	PENN STYLE NO.	DESCRIPTION
23	1229458	023 012VS	Handle Screw
23L	1191283	023L750	Handle Knob Screw
23W	1286986	023WTRQ40NLD2	Handle Nut Washer
24	1265016	024 TRQ40NLD2G	Handle Asm (Gold)
24C	1286717	024CSQL50LW	Handle Knob Cap
24S	1265021	024STRQ40NLD2	Knob Cap Screw (2 req)
25	1286716	025 SQL50	Handle Knob
26	1265023	026 TRQ40NLD2	Ball Bearing (2 req)
26N	1182145	026N025	Ball Bearing
27	1265035	027 TRQ40NLD2G	Plate, L.S. (Gold)
29	1265043	029 TRQ40NLD2G	Spool (Gold)
32	1265049	032 TRQ15LD2S	Screw, Flat Head (Silver)
33	1290729	033 TRQ	Rod Clamp
33C	1290731	033CTRQ40NLD2	Rod Clamp Kit
34	1182788	034 045	Screw, Rod Clamp (2 req)
35	1188656	035 20	Click Tongue
36	1265053	036 TRQ40NLD2S	Click Button (Silver)
36B	1188651	036B20	Spacer, Click Button
38	1293254	038 TRQ40SN	Screw, Locking (4 req)
38A	1265055	038 TRQ40NLD2S	Screw (Silver) (2 req)
39	1293255	039 TRQ40SN	Screw, Locking (4 req)
39S	1183261	039S965	Screw, Cover (4 req)
41	1265056	041 TRQ40NLD2	Spring, Drag
46A	1183585	046A4300	Screw, Cover (2 req)
50	1265058	050 TRQ15LD2G	Gear Shield (Gold)
50A	1183767	050 716	Screw, Ratchet (3 req)
52	1183840	052 910	Retaining E-Ring (2 req)
55A	1238912	055A50SLD	Ball Bearing
55L	1286985	055L020	Ball Bearing (2 req)
55T	1238913	055T30SLD	Bearing Assembly
62	1184026	062 209	Click Spring
62A	1236596	062 TRQ40	Spring, Strike Button
63	1184048	063 209	Screw, Click Spring
66A	1265059	066AFTHLD	Click Ratchet
67	1184105	067 030VS	Retaining E-Ring, Shift
69B	1184125	069B050	Retaining E-Ring, Click
69D	1265060	069DFTH15LD	Retaining Ring, Drag
71	1265067	071 TRQ40NLD2	Spindle (Assembly)
82	1265070	082 TRQ40NLD2	Washer, Teflon (2 req)
82A	1265071	082A30SLD2	Washer, Gear Separating
91A	1277514	091ATRQ40NLD2	Handle Knob Washer
98	1265073	098 FTH40NLD2	Dog Ratchet
110A	1230438	110A012VS	Handle Screw Lock Ring
110B	1264940	110BTRQ40NLD2S	Shifter Base (Silver)
110C	1264941	110C012VSS	Shift Button Ring (Silver)
117	1265076	117 TRQ40NLD2	Drive Plate Hub
117S	1265080	117STRQ40NLD2	Drag Cover Seal
117W	1265083	117WTRQ40NLD2	Drag Washer
128	1265084	128 30SLD2	Shift Key
133	1230583	133 012VS	Retaining Plate
134	1265085	134 30SLD2	Gear Stud
134A	1265086	134A30SLD2	Gear Stud Nut
134B	1265087	134B30SLD2	Gear Spacer
141	1265088	141 TRQ15LD2	Cam Follower
141B	1265089	141BTRQ15LD2	Spring, Preset Knob
144	1265091	144 TRQ15LD2S	Preset Knob (Silver)
149	1184702	149 045	Rod Clamp Nut (2 req)
149A	1184706	149 200	Hex Nut (2 req)
154	1265092	154 TRQ40NLD2	Shim, .010 (2 + As Req)
154A	1306668	154ATRQ40NLD2	Shim, .004 (As required)
156	1265095	156 TRQ40NLD2	Cover Drag
161	1265097	161 TRQ40NLD2	Pin, Free Locating
161A	1265098	161ATRQ15LD2	Pin, Lever Click
161B	1265099	161BTRQ40NLD2	Strike Button
162	1318280	162 TRQ40NLD2	Spring, Free Button
171	1265101	171 30SLD2	Shift Plunger (Screw)
172	1265104	172 012VSG	Shift Button (Gold)
172B	1184831	172B030VS	Shift Spacer
173	1192384	173 012VS	Shifter Catch (2 req)
173A	1230664	173A012VS	Shift Catch Holder
183	1265117	183 TRQ40NLD2G	Frame Assembly (Gold)
195	1184955	195 040	Gear Stud Ret. E-Ring

KEY NO.	PART NO.	PENN STYLE NO.	DESCRIPTION
1	1264964	001 TRQ40NLD2G	R.S. Plate Asm (Gold)
1D	1264970	001DTRQ40NLD2G	Gear Cover (Gold)
2	1264973	002 TRQ40NLD2B	Quadrant, (Black)
2A	1264977	002ATRQ40NLD2	Drag Lever Ratchet
4	1264978	004 TRQ15LD2	Washer, Drag Lever
5H	1264983	005 FTH40NLD2HS	Gear, High Speed Main
5L	1264984	005 FTH40NLD2LS	Gear, Low Speed Main

KEY NO.	PART NO.	PENN STYLE NO.	DESCRIPTION
6	1264987	006 TRQ40NLD2	Drag Washer (Assembly)
8	1257843	008 30SLD	Washer, Crescent
8A2	1229045	008ATS5-2	Shim, Spool (As required)
8A4	1229046	008ATS5-4	Shim, Spool (As required)
13B	1265000	013BTRQ40NLD2	Spool Sleeve
13H	1264995	013 FTH40NLD2HS	Pinion, High Speed
13L	1264996	013 FTH40NLD2LS	Pinion, Low Speed
14	1181406	014 535	Spring, Drag Lever Pin
15	1229374	015 TRQ40	Dog Asm (2 req)
16	1181587	016 975LD	Dog Screw (2 req)
18C	1181632	018C015KG	Spring, Shift Catch (2 req)
18H	1265002	018H30SLD2	Spring, Shift, Heavy
18K	1288188	018HTRQ40NLD2	Washer, Spring (2 req)
18L	1265003	018L30SLD2	Spring, Shift, Light
19	1296248	019 TRQ40NLD2	Drag Cam
21	1265008	021 TRQ40NLD2G	Drag Lever (Gold)
21A	1265011	021ATRQ30LD2	Lever/Quadrant Spacer